

MAEDA CC1485S-1

- 2.0 t Pick & Carry capacity
- Hook Block for 4 & 2-part reeving

- 6.0t x 2.6m crane capacity
- 16.7m lifting height (with fly jib)

- Zero Tail Swing - front and rear
- Moment Limiter Digital Load System
- 20" Wide Rubber Tracks



Preston Hire SuperCrane 1485 has a maximum lifting height of 16.7m. This compact crane has a small footprint and because it does not have outriggers, it is ideal for use in tight areas. It boasts a 2.0t pick & carry capability. Other features include an air-conditioned enclosed cab and a machine weight of 14,560kg. Consider the possibilities...

SPECIFICATIONS

CC1485S-1

DIMENSIONS

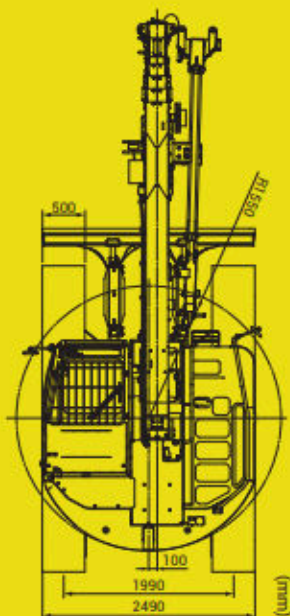
Length	6560mm
Width	2490mm
Height	2865mm
Weight	(15710kg w/blade, 15330kg w/fly jib, 16010kg w/blade & fly jib)

CAPACITY

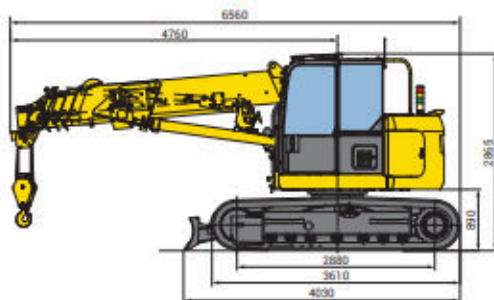
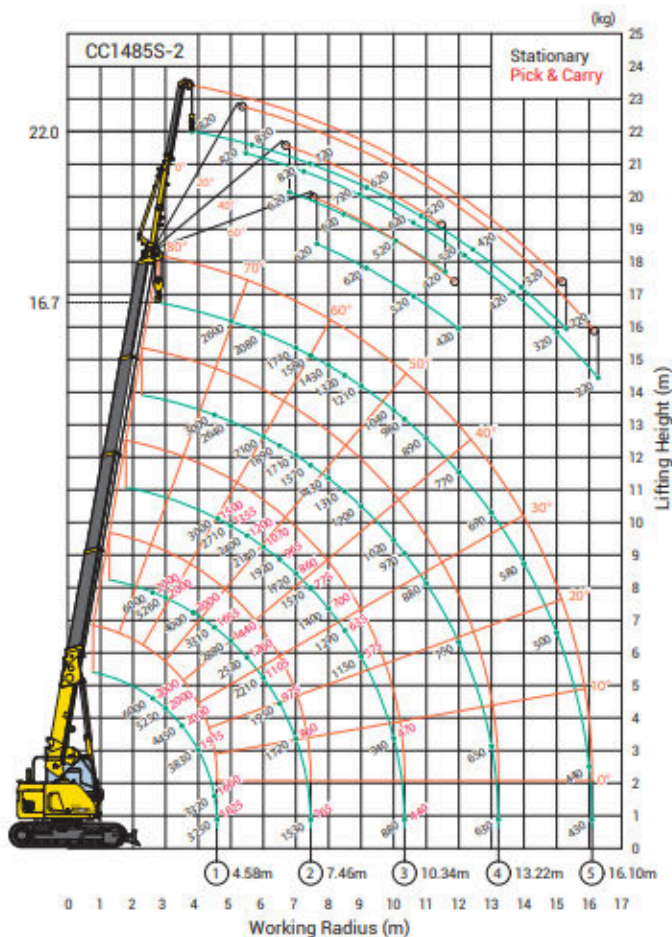
Max. capacity	6.0t x 2.6m
Max. working radius (main boom)	16.1m
Max. lifting height (main boom)	16.7m
Max. lifting height (fly jib)	22.0m

PICK & CARRY

Capacity	2.0t
----------	------



WORKING RANGE



LOAD CHART CC1485S-1

RATED TOTAL LOAD CHART (4 FALLS)

unit: kg

Working radius (m)	4.745m Boom		7.625m Boom		10.505m Boom		13.385m Boom		16.265m Boom	
	Stationary	Pick & Carry	Stationary	Pick & Carry	Stationary	Pick & Carry	Stationary	Pick & Carry	Stationary	Pick & Carry
2.00	6000	2000	6000	2000	3000	1500				
2.50	6000	2000	6000	2000	3000	1500	3000			
2.60	6000	2000	6000	2000	3000	1500	3000			
3.00	5250	2000	5260	2000	3000	1500	3000		2600	
3.20	4910	2000	4920	2000	3000	1500	3000		2600	
3.50	4450	2000	4460	2000	3000	1500	3000		2600	
3.85	4000	2000	4000	2000	3000	1500	3000		2600	
4.00	3830	1915	3820	1910	3000	1500	3000		2600	
4.50	3320	1660	3310	1655	3000	1500	3000		2600	
5.00			2880	1440	2710	1355	2640		2600	
6.00			2210	1105	2140	1070	2100		2080	
7.00			1720	860	1720	860	1710		1710	
7.50					1550	775	1560		1560	
8.00					1400	700	1430		1430	
9.00					1150	575	1200		1210	
10.00					940	470	1020		1040	
11.00							880		890	
12.00							750		770	
13.00							650		670	
14.00									580	
15.00									500	
16.00									440	
16.10									430	

Unusable

Unusable

*The Rated Total Load Chart is based on the actual working radius including boom deflection.

*The weight of hook block (standard 4 fall/2fall -90kg) must be included as part of the load shown in the Rated Total Load Chart.

*When using two fall or single fall hooks, use the appropriate four fall Rated Total Load Chart above but with a maximum load of : Two fall-3000kg, Single fall-1500kg.

Perth

Adelaide

Sydney

Melbourne

Brisbane

Newcastle



SPECIALISED EQUIPMENT HIRE SOLUTIONS

Branch Locations

NSW/ACT

Unit 4, 4 Dupas Street,
Smithfield, NSW 2164
nswsales@prestonhire.com.au

NSW

56 Sandringham Place,
Thornton, NSW, 2322
nswsales@prestonhire.com.au

QLD

83 Parramatta Road,
Underwood, QLD 4119
qldsales@prestonhire.com.au

VIC/TAS

38 Sunline Dr,
Truganina, VIC 3029
vicsales@prestonhire.com.au

WA/NT

Unit 2,8 Hunt Street,
Malaga, WA 6090
wasales@prestonhire.com.au

SA

102 Cormack Road,
Wingfield, SA 5013
sasales@prestonhire.com.au

**Preston Hire available across Oceania*



COUNT ON US

1800 440 550 | prestonhire.com.au