

• Yanmar 4TNV88-PSY Engine



- 5200kg Operating Weight
- Engine Max Power (Gross) 39hp/29.1kw@2400 rpm 10.3KW/2200rpm

The SuperCivil™ SY50U is a powerful machine that ensures maximum productivity. It's superior working range make it the go to machine on large scale projects while the compact design means it is also at home on urban construction sites as well as anywhere with areas that are particularly small.

With advanced SLSS hydraulic system, optimal power control and work mode selection improve speed and power while reducing fuel consumption.

Zero tail swing radius and independent boom swing allow operation in extremely confined spaces. This allows operation in locations that were previously inaccessible. Consider the possibilities...

SPECIFICATIONS

SANY SY50U

ENGINE

Model	Yanmar 4TNV88-PSY
Typ	Water-cooled, 4 cylinder, with commonrail and DPF
Exhaust emissions	Stage V
Rated power	29.1 kW / 2 400 rpm
Max. torque	144.9 Nm / 1 500 rpm
Displacement	2 191 ccm
Batteries	1 × 12 V / 80 Ah

HYDRAULIC SYSTEM

Mainpump	1 x variable-piston-pump with loadsensing control
Max. oilflow	110 l/min
Travelmotor	2 speed axial piston motor with planetary reducer and automatic multi-disc brake
Swingmotor	Axial piston motor with planetary reducer and automatic holding brake

SERVICE REFILL CAPACITIES

Fuel tank	78 l
Engine coolant	4.2 l
Engine oil	7.4 l
Drive (per side)	0.9 l
Hydraulicsystem	80 l
Hydraulic oil tank	52 l

PERFORMANCE

Swingspeed	10 rpm
Max. travel speed	High 4 km/h, slow 2.7 km/h
Max. travel force	40.7 kN
Gradeability	30°
Bucket capacity	0.152 m³
Groundpressure	0.32 kg/cm²
Bucket digging force ISO	32.5 kN
Arm digging force ISO	22.9 kN

OPERATING MASS

SY50U	5 300 kg
-------	----------

UNDER AND UPPER STRUCTURE

Boom length	2 700 mm
Arm length	1 500 mm
Bottomrollers	1
Toprollers	4
Rotation device	Planetary gear reducer driven by an axial piston motor, automatic hydraulic released slewing brake

RELIEF VALVE SETTINGS

Implement circuit	245 bar
Swing circuit	191 bar
Travle circuit	245 bar
Pilot pressure	35 bar

LIFTING CAPACITIES OF LOWER DOZER BLADE

Load point height	Radius				Digging reach	
	2.0 m / 6.6 ft	3.0 m / 9.8 ft	4.0 m / 13.1 ft	5.0 m / 16.4 ft	Maximal	
4.0 m kg					1 085	845
13.1 ft lb					2 387	1 859
3.0 m kg			1 050	815	1 050	655
9.8 ft lb			2 310	1 793	2 310	1 441
2.0 m kg	1 545	1 190	1 190	790	1 055	580
6.6 ft lb	3 399	2 618	2 618	1 738	2 321	1 276
1.0 m kg	2 020	1 110	1 365	760	1 080	560
3.3 ft lb	4 444	2 442	3 003	1 672	2 376	1 232
Ground line kg	2 165	1 075	1 445	735	1 100	575
lb	4 763	2 365	3 179	1 617	2 420	1 265
-1.0 m kg	2 735	2 000	1 975	1 075	1 325	735
-3.3 ft lb	6 017	4 400	4 345	2 365	2 915	1 617
-2.0 m kg	2 135	2 050	1 370	1 100		
-6.6 ft lb	4 697	4 510	3 014	2 420		

LIFTING CAPACITIES OF UPPER DOZER BLADE

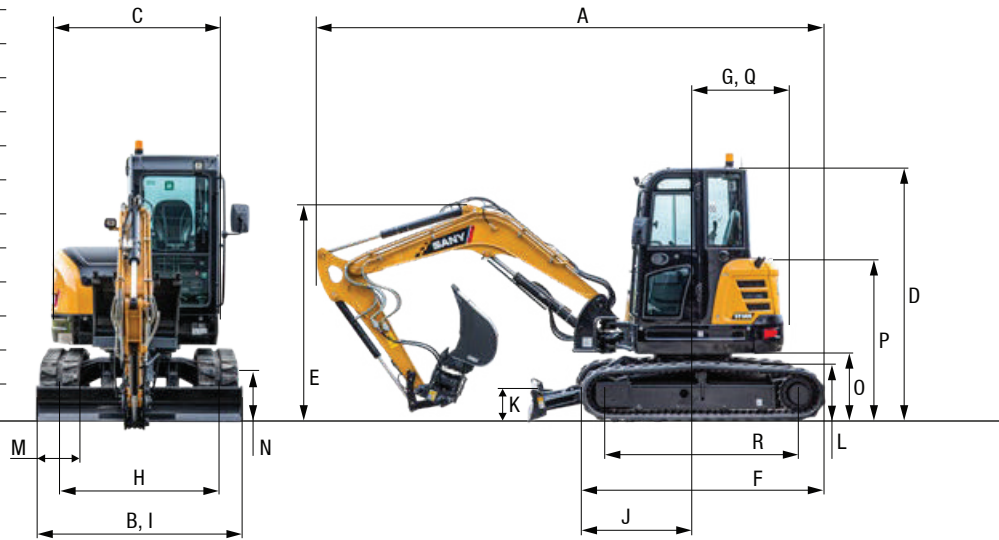
Load point height	Radius				Digging reach	
	2.0 m / 6.6 ft	3.0 m / 9.8 ft	4.0 m / 13.1 ft	5.0 m / 16.4 ft	Maximal	
4.0 m kg					1 025	845
13.1 ft lb					2 255	1 859
3.0 m kg			985	815	790	655
9.8 ft lb			2 167	1 793	1 738	1 441
2.0 m kg	1 485	1 190	960	790	700	580
6.6 ft lb	3 267	2 618	2 112	1 738	1 540	1 276
1.0 m kg	1 400	1 110	925	760	680	560
3.3 ft lb	3 080	2 442	2 035	1 672	1 496	1 232
Ground line kg	1 360	1 075	905	735	700	575
lb	2 992	2 365	1 991	1 617	1 540	1 265
-1.0 m kg	2 735	2 000	1 355	1 075	900	735
-3.3 ft lb	6 017	4 400	2 981	2 365	1 980	1 617
-2.0 m kg	2 135	2 050	1 370	1 100		
-6.6 ft lb	4 697	4 510	3 014	2 420		

SPECIFICATIONS

SANY SY50U

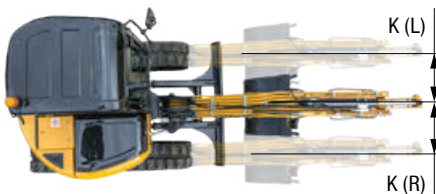
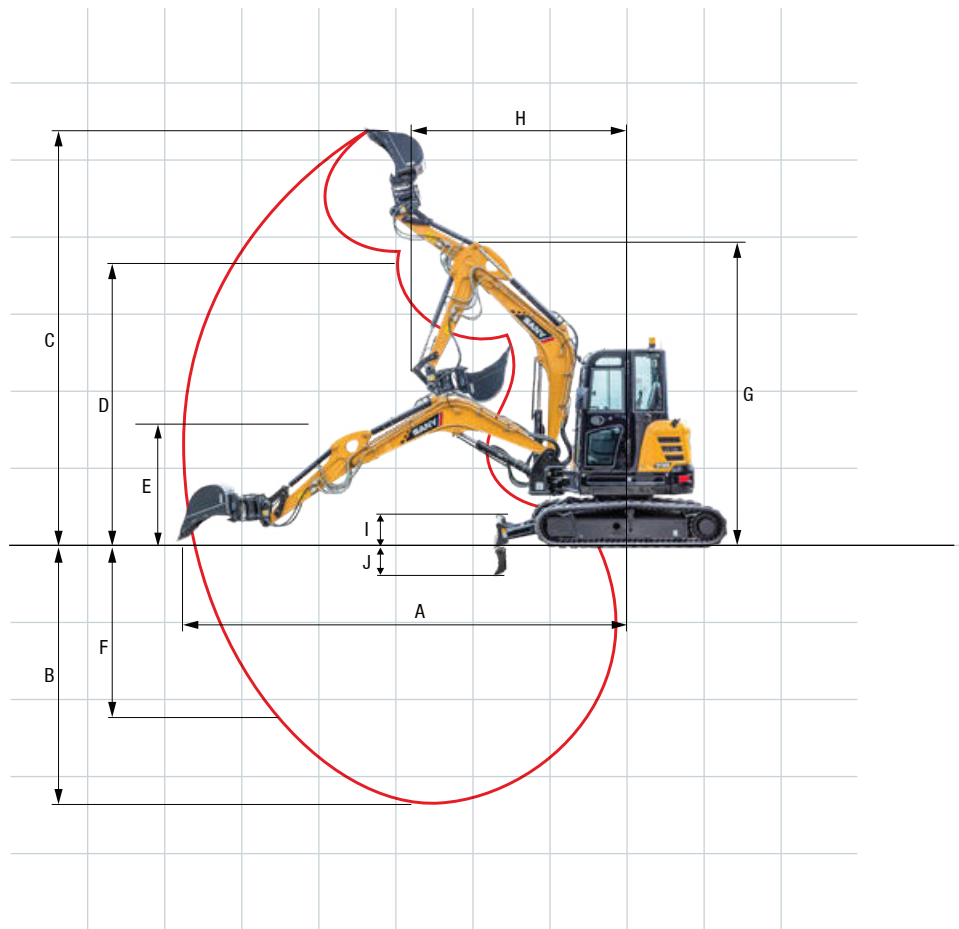
DIMENSIONS (TRANSPORT)

A	Transport length	5390 mm
B	Transport width	1960 mm
C	Upperstructure carriage	1760 mm
D	Height over cabin/ROPS	2630 mm
E	Height of Boom – transport	2060 mm
F	Overall length of crawler	2510 mm
G	Tail length	980 mm
H	Track gauge	1560 mm
I	Undercarriage width (blade)	1960 mm
J	Horizontal distance to blade	1790 mm
K	Blade height	340 mm
L	Track height	610 mm
M	Track pads width	400 mm
N	Min. ground clearance	325 mm
O	Counterweight clearance	675 mm
P	Engine cover height	1660 mm
Q	Tail swing radius	980 mm
R	Center distance of tumblers	1970 mm



WORKING AREA

A	Max. digging reach	5880 mm
B	Max. digging depth	3420 mm
C	Max. digging height	5450 mm
D	Max. dumping height	4155 mm
E	Min. dumping height	1410 mm
F	Max. vertical digging depth	2460 mm
G	Overall height over arm by min. swing radius	4155 mm
H	Swing radius by max. boomswing (L)	2260 mm
	Swing radius by max. boomswing (R)	2080 mm
	Min. swing radius	2520 mm
I	Max. clearance when blade up	420 mm
J	Max. depth of blade down	405 mm
K	Offset boom (L)	745 mm
	Offset boom (R)	710 mm
	Max. boom-swing angle (L)	58°
	Max. boom-swing angle (R)	54°





SPECIALISED EQUIPMENT HIRE SOLUTIONS

Branch Locations

NSW/ACT

Unit 4, 4 Dupas Street,
Smithfield, NSW 2164
nswsales@prestonhire.com.au

NSW

56 Sandringham Place,
Thornton, NSW, 2322
nswsales@prestonhire.com.au

QLD

83 Parramatta Road,
Underwood, QLD 4119
qldsales@prestonhire.com.au

VIC/TAS

38 Sunline Dr,
Truganina, VIC 3029
vicsales@prestonhire.com.au

WA/NT

Unit 2,8 Hunt Street,
Malaga, WA 6090
wasales@prestonhire.com.au

SA

102 Cormack Road,
Wingfield, SA 5013
sasales@prestonhire.com.au

**Preston Hire available across Oceania*



COUNT ON US

1800 440 550 | prestonhire.com.au