

SANY SY305H

- Isuzu GH-6HK1 Engine

- 31,500kg Operating Weight
- Rated Power 212kW/ 2000 rpm



The SANY SY305H works powerfully wherever maximum performance is required for excavation work and in civil engineering. The machine's high-quality technology and robust components form the basis for reliable and quick operation . Consider the possibilities...

SPECIFICATIONS

SANY SY305H

ENGINE

Model	Isuzu GH-6HK1
Type	Water-cooled, 6 cylinder, with commonrail and Adblue
Exhaust emissions	Stage III
Rated power	212 kW / 2 000 rpm
Max. torque	1 080 Nm / 1 500 rpm
Displacement	7.79 L
Batteries	2 × 12 V / 120 Ah

HYDRAULIC SYSTEM

Mainpump	2 x variable piston pump with electronic positive control
Max. oilflow	640 l/min
Travelmotor	Variable displacement axial piston motor
Swingmotor	Axial-piston motor
Max. oilflow (AUX1)	500 l/min

RELIEF VALVE SETTINGS

Implement circuit	320 bar
Power boost	203 bar
Swing circuit	275 bar
Travel circuit	343 bar
Pilot pressure	39 bar

SERVICE REFILL CAPACITIES

Fuel tank	540 l
Engine coolant	35 l
Engine oil	35 l
Drive (per side)	10,5 l
Adblue	85 l
Hydraulic oil tank	380 l

PERFORMANCE

Swingspeed	9 rpm
Max. travel speed	High 5.2 km/h, slow 3.4 km/h
Max. travel force	245 kN
Gradeability	35°
Bucket capacity	1.4 - 1.7m ³
Groundpressure	62 kPa
Bucket digging force ISO	220 kN
Arm digging force ISO	170 kN

LIFTING CAPACITIES*

Load point height	Radius				Max. digging reach		
	3.0 m	4.5 m	6.0 m	7.5 m	Capacity		mm
7.5 m kg					5796	5796	6954
6.0 m kg				7440 5592	5512	5308	7927
4.5 m kg			8777 8777	7857 5460	5478	4682	8525
3.0 m kg		13301 10813	10078 7211	8500 5270	5635	4368	8825
1.5 m kg		15494 10106	11268 6853	7696 5081	5736	4271	8860
Ground kg		16368 9767	11989 6615	7544 4941	5894	4373	8631
-1.5 m kg	12939 12939	16113 9688	10261 6514	7479 4882	6396	4727	8118
-3.0 m kg	20377 20377	14864 9777	11298 6547	8597 4940	7514	5520	7257
-4.5 m kg	16297 16297	12257 10032	9079 6748		8765	7468	5892

* at 3 200 mm undercarriage width

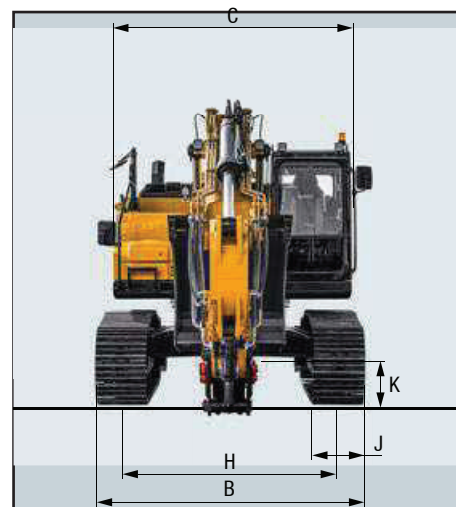
UNDER AND UPPER STRUCTURE

Boom length	6 150 mm
Arm length	3 200 mm
Bottomrollers	9
Toprollers	2
Rotation device	Planetary gear reducer driven by an axial piston motor, automatic hydraulic released slewing brake

OPERATING MASS

SY305H

31 500 kg



SPECIFICATIONS

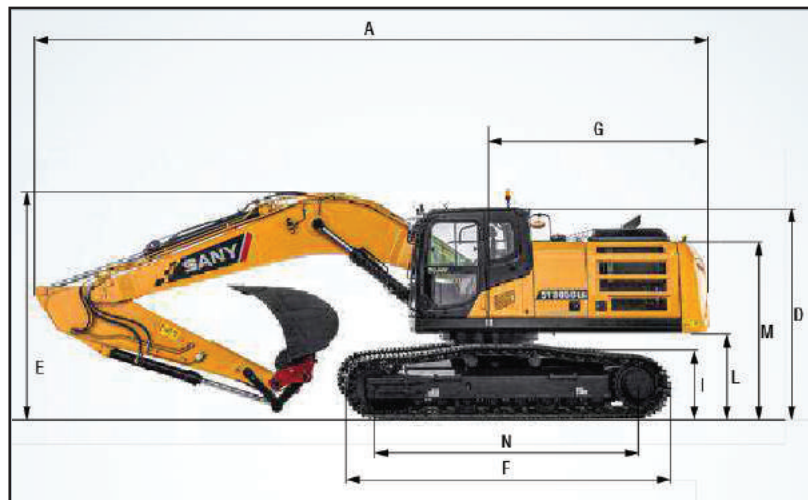
SANY SY305H

DIMENSIONS (TRANSPORT)

A	Transport length	10667 mm
B	Transport width	*2990 mm **3190 mm
C	Upperstructure carriage	2986 mm
D	Height over cabin/ROPS	3280 mm
E	Height of Boom – transport	3470 mm
F	Overall length of crawler	4840 mm
G	Tail length	3315 mm
H	Track gauge	*2390 mm **2590 mm
I	Track height	1025 mm
J	Track pads width	600 mm 700 mm 800 mm
K	Min. ground clearance	550 mm
L	Counterweight clearance	1045 mm
M	Engine cover height	2640 mm
N	Center distance of tumblers	3916 mm

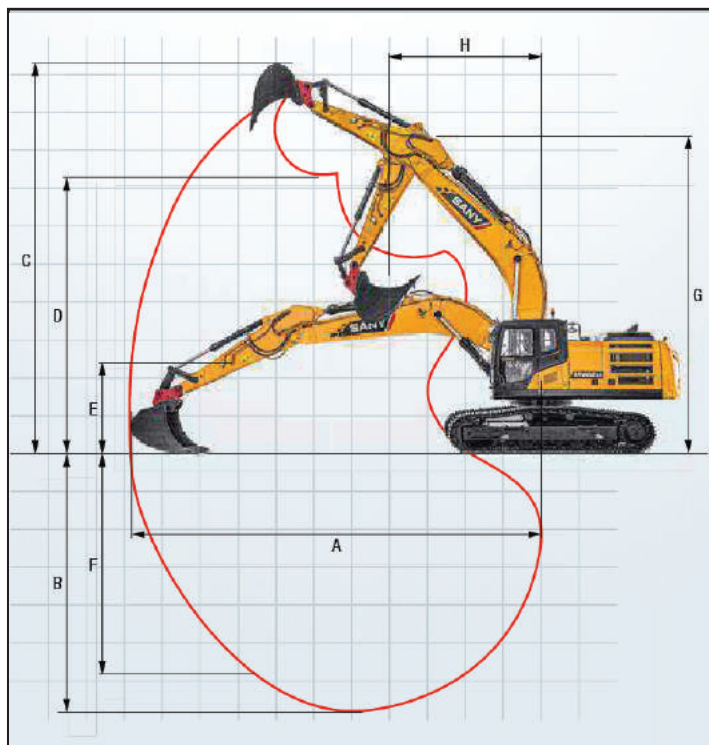
*at 600 mm track pads width

**Wide undercarriage with 600 mm track pads width



WORKING AREA

A	Max. digging reach	10870 mm
B	Max. digging depth	6815 mm
C	Max. digging height	10497 mm
D	Max. dumping height	7347 mm
E	Min. dumping height	2450 mm
F	Max. vertical digging depth	6170 mm
G	Overall height over arm by min. swing radius	8405 mm
H	Min. swing radius	4000 mm





Perth

Adelaide

Sydney

Brisbane

Newcastle

Melbourne



SPECIALISED EQUIPMENT HIRE SOLUTIONS

Branch Locations

NSW/ACT

Unit 4, 4 Dupas Street,
Smithfield, NSW 2164
nswsales@prestonhire.com.au

NSW

56 Sandringham Place,
Thornton, NSW, 2322
nswsales@prestonhire.com.au

QLD

83 Parramatta Road,
Underwood, QLD 4119
qldsales@prestonhire.com.au

VIC/TAS

38 Sunline Dr,
Truganina, VIC 3029
vicsales@prestonhire.com.au

WA/NT

Unit 2,8 Hunt Street,
Malaga, WA 6090
wasales@prestonhire.com.au

SA

102 Cormack Road,
Wingfield, SA 5013
sasales@prestonhire.com.au

**Preston Hire available across Oceania*



COUNT ON US

1800 440 550 | prestonhire.com.au