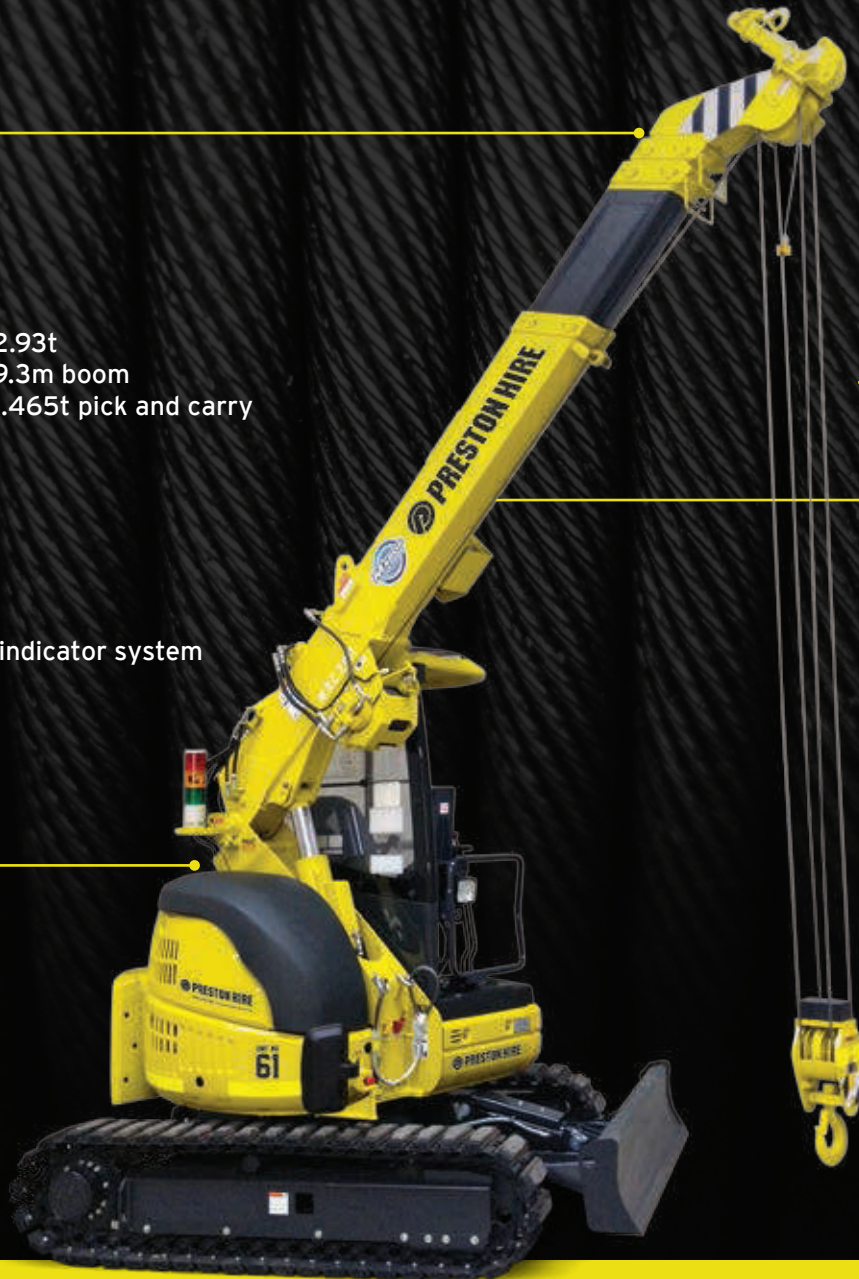


MAEDA LC383M-5

- 2.93t
- 9.3m boom
- 1.465t pick and carry

- 4/2 Fall hook block
- Searcher hook

- Rubber tracks
- Load moment indicator system



The Maeda LC383M-5 has an 8.7m four section telescopic boom, 2.93t capacity, highly compact tracked footprint with no need for outriggers and near zero-tail swing, making it ideal for use in tight areas. It boasts a super 1465kg pick & carry capability, nearly that of its "big brother", the 785. Other features include a covered superstructure mounted operators cab and a gross weight of 4400kg. Consider the possibilities...

SPECIFICATIONS

LC383M-5

DIMENSIONS

| | |
|--------|--------|
| Length | 4020mm |
| Width | 1655mm |
| Height | 2500mm |
| Weight | 4400kg |

CAPACITY

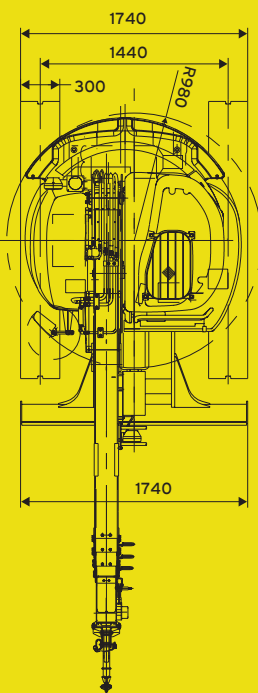
| | |
|---------------------------------|----------------|
| Max. capacity | 2930kg at 1.5m |
| Max. working radius (main boom) | 200kg at 8.3m |
| Max. working radius (fly jib) | N/A |
| Max. lifting height (main boom) | 9.3m |
| Max. lifting height (fly jib) | N/A |

TRACK

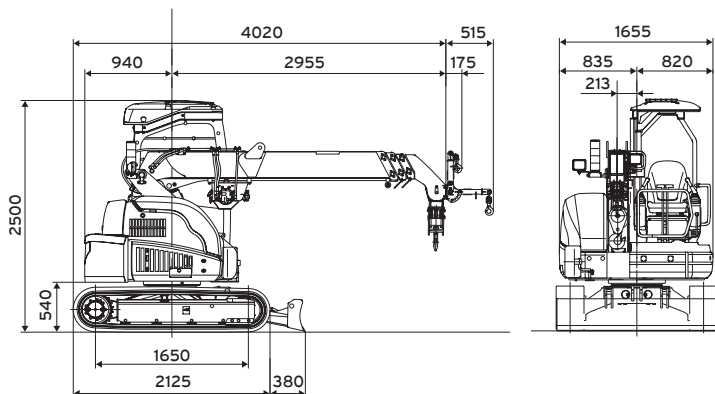
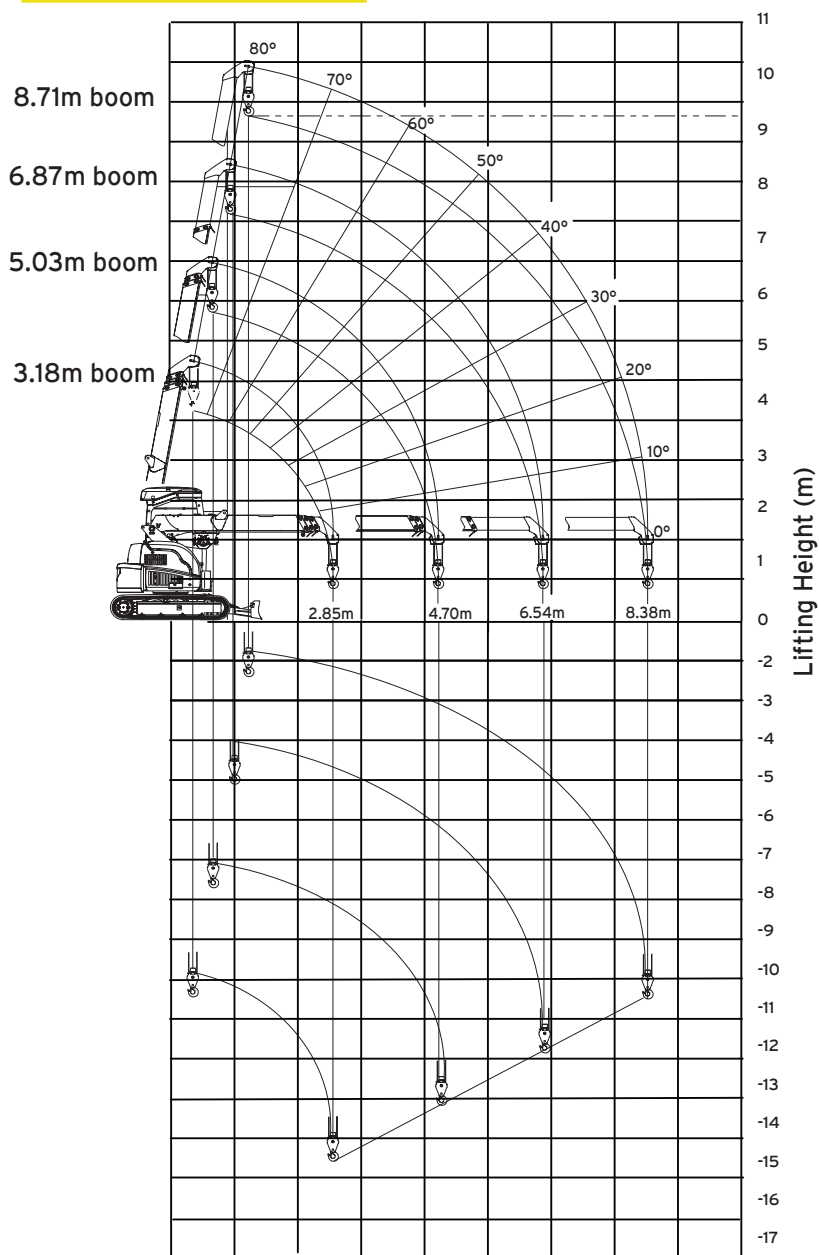
| | |
|-------|-------|
| Width | 300mm |
|-------|-------|

MIN. TRANSPORT WIDTH

| | |
|---------------|--------|
| Overall Track | 1740mm |
| Overall Unit | 1740mm |



WORKING RANGE



*Searcher hook is optional



COUNT ON US

1800 440 550 | prestonhire.com.au

LOAD CHART

LC383M-5

LOAD CHART

4 Falls

| TOTAL RATED LOAD | | | | | | | | |
|--------------------|-----------------------|------------|-----------------------|------------|-----------------------|------------|-----------------------|------------|
| | 3.18m Boom | | 5.03m Boom | | 6.87m Boom | | 8.71m Boom | |
| Working Radius (m) | Total Rated Load (kg) | | Total Rated Load (kg) | | Total Rated Load (kg) | | Total Rated Load (kg) | |
| | Stationary | Travelling | Stationary | Travelling | Stationary | Travelling | Stationary | Travelling |
| 1.5 | 2930 | 1465 | 2930 | 1465 | 1870 | Unusable | 1190 | Unusable |
| 2.0 | 1730 | 865 | 1710 | 855 | 1710 | Unusable | 1190 | Unusable |
| 2.5 | 1200 | 600 | 1190 | 595 | 1190 | Unusable | 1190 | Unusable |
| 2.85 | 980 | 490 | 980 | 490 | 980 | Unusable | 980 | Unusable |
| 3.0 | | | 900 | 450 | 900 | Unusable | 900 | Unusable |
| 3.5 | | | 720 | 360 | 720 | Unusable | 720 | Unusable |
| 4.0 | | | 600 | 300 | 600 | Unusable | 600 | Unusable |
| 4.5 | | | 500 | 250 | 500 | Unusable | 500 | Unusable |
| 4.7 | | | 460 | 230 | 460 | Unusable | 460 | Unusable |
| 5.0 | | | | | 430 | Unusable | 430 | Unusable |
| 5.5 | | | | | 370 | Unusable | 370 | Unusable |
| 6.0 | | | | | 330 | Unusable | 330 | Unusable |
| 6.54 | | | | | 290 | Unusable | 290 | Unusable |
| 7.0 | | | | | | Unusable | 260 | Unusable |
| 7.5 | | | | | | Unusable | 235 | Unusable |
| 8.0 | | | | | | Unusable | 215 | Unusable |
| 8.38 | | | | | | Unusable | 200 | Unusable |

The total rated load charts are based on the actual working radius including boom



COUNT ON US

Disclaimer: All information provided in this publication is correct at time of printing. Please contact Preston Hire for any updated versions.

1800 440 550 | prestonhire.com.au



SPECIALISED EQUIPMENT HIRE SOLUTIONS

Branch Locations

NSW/ACT

Unit 4, 4 Dupas Street,
Smithfield, NSW 2164
nswsales@prestonhire.com.au

NSW

56 Sandringham Place,
Thornton, NSW, 2322
nswsales@prestonhire.com.au

QLD

83 Parramatta Road,
Underwood, QLD 4119
qldsales@prestonhire.com.au

VIC/TAS

38 Sunline Dr,
Truganina, VIC 3029
vicsales@prestonhire.com.au

WA/NT

Unit 2,8 Hunt Street,
Malaga, WA 6090
wasales@prestonhire.com.au

SA

102 Cormack Road,
Wingfield, SA 5013
sasales@prestonhire.com.au

**Preston Hire available across Oceania*



COUNT ON US

1800 440 550 | prestonhire.com.au