



# SANY SY365C



36000kg Operating  
Weight

Rated Power  
212 kW/2000 Rpm

The SANY SY365C large excavator is built to deliver performance 365 days a year in any conditions, any climate and any terrain. Designed to provide outstanding performance even under continuous stress, this large excavator offers both reliability and versatility and can handle earthmoving, demolition or road-building jobs with ease. Plus, with an efficient design and selectable work modes, the SY365C large excavator can provide optimized performance to increase productivity while decreasing operating costs.

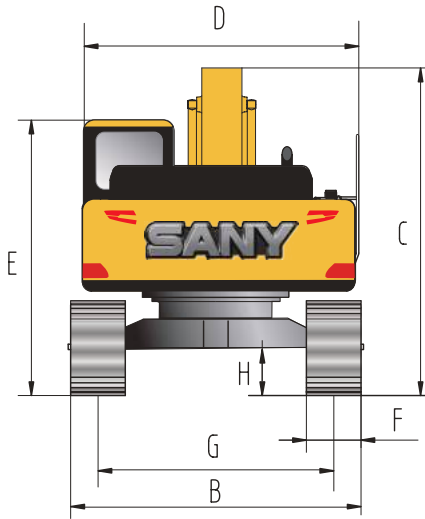


COUNT ON US

1800 440 550 | [prestonhire.com.au](http://prestonhire.com.au)

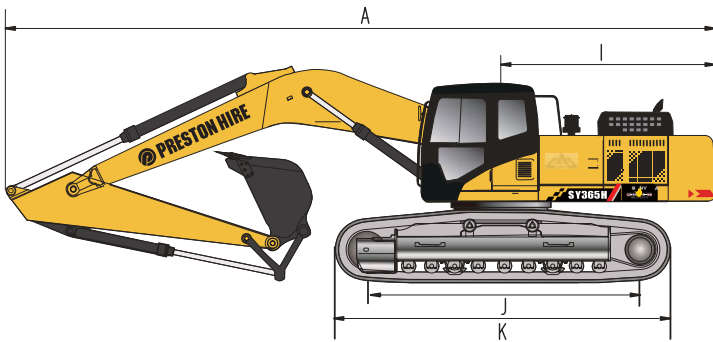
# SPECIFICATIONS

## SANY SY365C



ITEM	mm
A Transport Length	11530
B Transport Width	3190
C Transport Height	3545
D Upper Structure Width	3150
E Cab Height	3320
F Standard Track Shoe Width	600
G Track Gauge	2590
H Min Ground Clearance	550
I Tail Swing Radius	3560
J Center distance of tumbler	4140
K Track Length	5065

### WORKING RANGE



ITEM	mm
A Max. Digging Height	9890
B Max. Dumping Height	6920
C Max. Digging Depth	7050
D Max. Vertical Digging depth	3970
E Max. Digging Reach	10780
F Min. Swing Radius	4495
G Height at Min. Swing Radius	8600

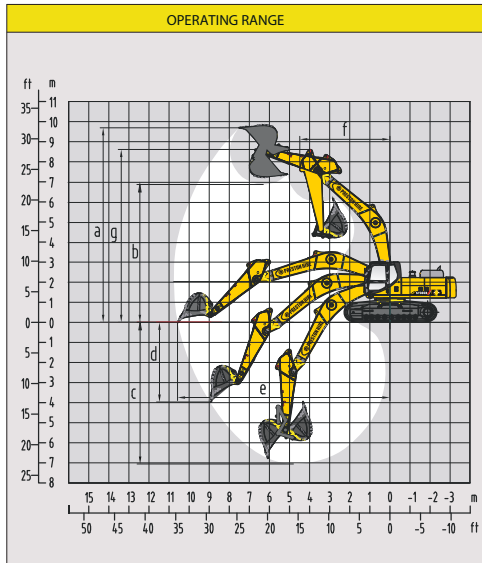
#### MACHINE PARAMETERS

Operating Weight	36000kg
Engine Type	ISUZU GH-6HK1XKSC
Engine Max Power (Gross)	212 kW @2 000rpm
Engine Max Torque	1080 Nm @15 00rpm
Engine Displacement	7.79 Litre
Swing Speed	9.5 rpm
Travel Speed	5.5 /3.5 km/h
Bucket Digging Force	235 kN
Fuel Tank Capacity	690 Litre
Engine Oil Capacity	36 Litre
Ground Pressure	65k Pa

#### UNDER CARRIAGE

Track shoe width (mm)	600
Track roller (per side)	9
Carrier roller (per side)	2

#### OPERATING RANGE





## SPECIALISED EQUIPMENT HIRE SOLUTIONS

### Branch Locations

#### NSW/ACT

Unit 4, 4 Dupas Street,  
Smithfield, NSW 2164  
nswsales@prestonhire.com.au

#### NSW

56 Sandringham Place,  
Thornton, NSW, 2322  
nswsales@prestonhire.com.au

#### QLD

83 Parramatta Road,  
Underwood, QLD 4119  
qldsales@prestonhire.com.au

#### VIC/TAS

38 Sunline Dr,  
Truganina, VIC 3029  
vicsales@prestonhire.com.au

#### WA/NT

Unit 2,8 Hunt Street,  
Malaga, WA 6090  
wasales@prestonhire.com.au

#### SA

102 Cormack Road,  
Wingfield, SA 5013  
sasales@prestonhire.com.au

*\*Preston Hire available across Oceania*



COUNT ON US

1800 440 550 | [prestonhire.com.au](http://prestonhire.com.au)