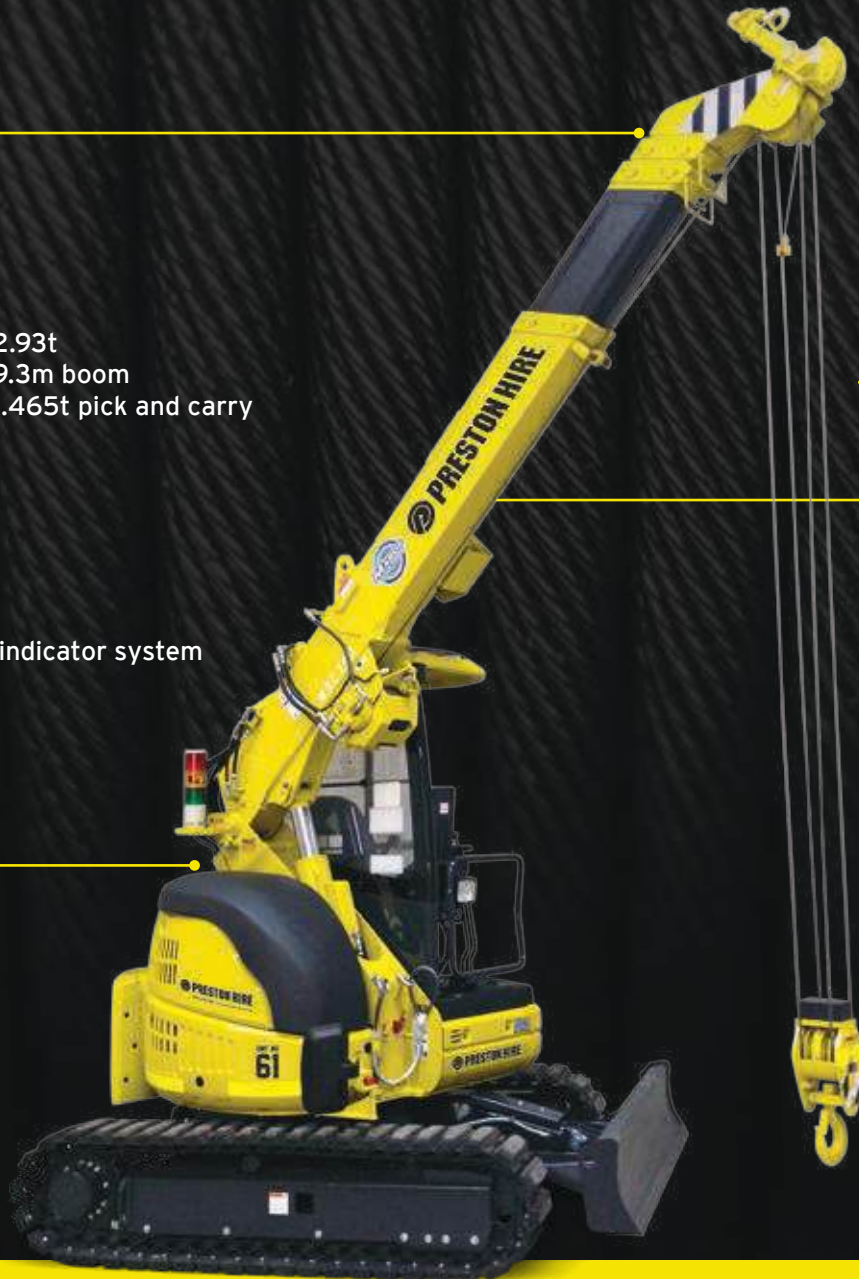


MAEDA LC383M-5

- 2.93t
- 9.3m boom
- 1.465t pick and carry

- 4/2 Fall hook block
- Searcher hook

- Rubber tracks
- Load moment indicator system



The Maeda LC383M-5 has an 8.7m four section telescopic boom, 2.93t capacity, highly compact tracked footprint with no need for outriggers and near zero-tail swing, making it ideal for use in tight areas. Other features include a covered superstructure mounted operators cab and a gross weight of 4400kg. Consider the possibilities...

SPECIFICATIONS

LC383M-5

DIMENSIONS

Length	4020mm
Width	1655mm
Height	2500mm
Weight	4400kg

CAPACITY

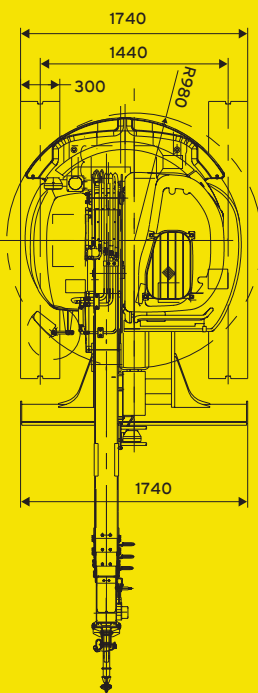
Max. capacity	2930kg at 1.5m
Max. working radius (main boom)	200kg at 8.3m
Max. working radius (fly jib)	N/A
Max. lifting height (main boom)	9.3m
Max. lifting height (fly jib)	N/A

TRACK

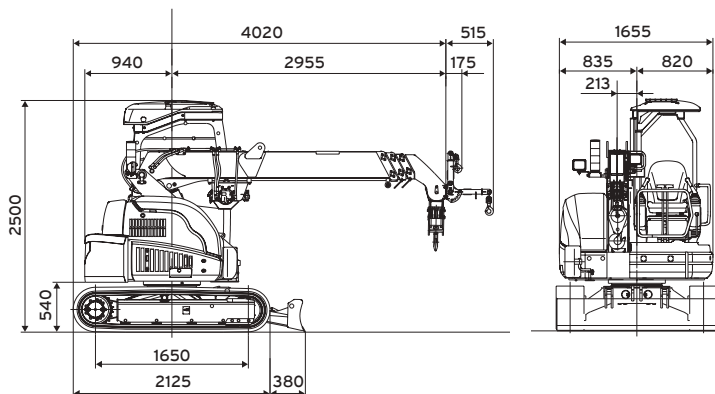
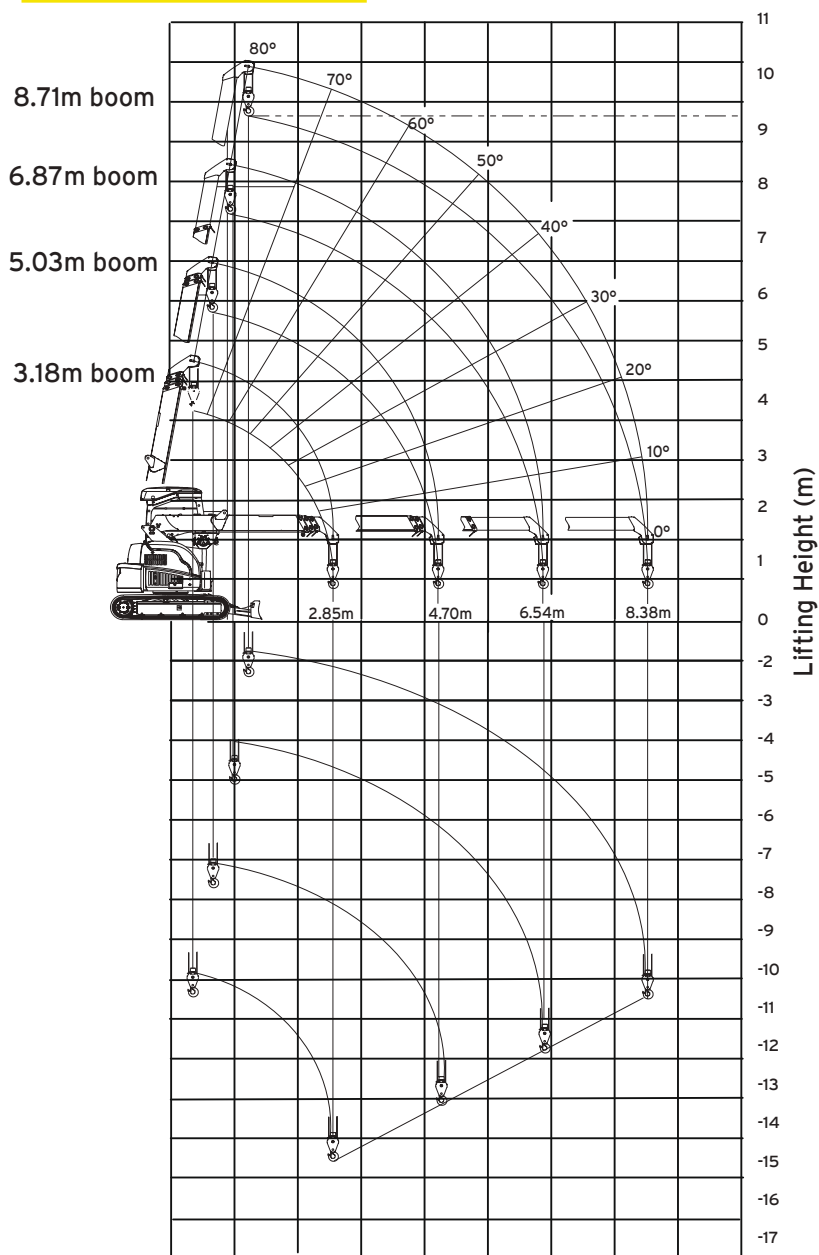
Width	300mm
-------	-------

MIN. TRANSPORT WIDTH

Overall Track	1740mm
Overall Unit	1740mm



WORKING RANGE



*Searcher hook is optional



COUNT ON US

1800 440 550 | prestonhire.com.au

LOAD CHART

LC383M-5

LOAD CHART

4 Falls

TOTAL RATED LOAD								
	3.18m Boom		5.03m Boom		6.87m Boom		8.71m Boom	
Working Radius (m)	Total Rated Load (kg)		Total Rated Load (kg)		Total Rated Load (kg)		Total Rated Load (kg)	
	Stationary	Travelling	Stationary	Travelling	Stationary	Travelling	Stationary	Travelling
1.5	2930	1465	2930	1465	1870	Unusable	1190	Unusable
2.0	1730	865	1710	855	1710	Unusable	1190	Unusable
2.5	1200	600	1190	595	1190	Unusable	1190	Unusable
2.85	980	490	980	490	980	Unusable	980	Unusable
3.0			900	450	900	Unusable	900	Unusable
3.5			720	360	720	Unusable	720	Unusable
4.0			600	300	600	Unusable	600	Unusable
4.5			500	250	500	Unusable	500	Unusable
4.7			460	230	460	Unusable	460	Unusable
5.0					430	Unusable	430	Unusable
5.5					370	Unusable	370	Unusable
6.0					330	Unusable	330	Unusable
6.54					290	Unusable	290	Unusable
7.0						Unusable	260	Unusable
7.5						Unusable	235	Unusable
8.0						Unusable	215	Unusable
8.38						Unusable	200	Unusable

The total rated load charts are based on the actual working radius including boom



COUNT ON US

Disclaimer: All information provided in this publication is correct at time of printing. Please contact Preston Hire for any updated versions.

1800 440 550 | prestonhire.com.au



SPECIALISED EQUIPMENT HIRE SOLUTIONS

Branch Locations

NSW/ACT

Unit 4, 4 Dupas Street,
Smithfield, NSW 2164
nswsales@prestonhire.com.au

NSW

56 Sandringham Place,
Thornton, NSW, 2322
nswsales@prestonhire.com.au

QLD

83 Parramatta Road,
Underwood, QLD 4119
qldsales@prestonhire.com.au

VIC/TAS

38 Sunline Dr,
Truganina, VIC 3029
vicsales@prestonhire.com.au

WA/NT

Unit 2,8 Hunt Street,
Malaga, WA 6090
wasales@prestonhire.com.au

SA

102 Cormack Road,
Wingfield, SA 5013
sasales@prestonhire.com.au

**Preston Hire available across Oceania*



COUNT ON US

1800 440 550 | prestonhire.com.au