

# MAEDA LC785M-8



The Maeda LC785M-8 has a 16.4m five section telescopic boom, 4.93t capacity, highly compact tracked footprint with no need for outriggers and near zero-tail swing, making it ideal for use in tight areas. It boasts a super 2000kg pick & carry capability, same as that of its "big brother", the 1385. Other features include a climatized enclosed cabin and a gross weight of 10250kg. Consider the possibilities...

# SPECIFICATIONS

## MAEDA LC785M-8

### DIMENSIONS

Length	5005mm
Width	2350mm
Height	2685mm
Weight	9700kg or 10,420kg (w/blade)

### CAPACITY

Max. capacity	4900kg at 2.1m
Max. working radius (main boom)	200kg at 14.5m
Max. working radius (fly jib)	130kg at 11.2m
Max. lifting height (main boom)	16.4m
Max. lifting height (fly jib)	20.3m

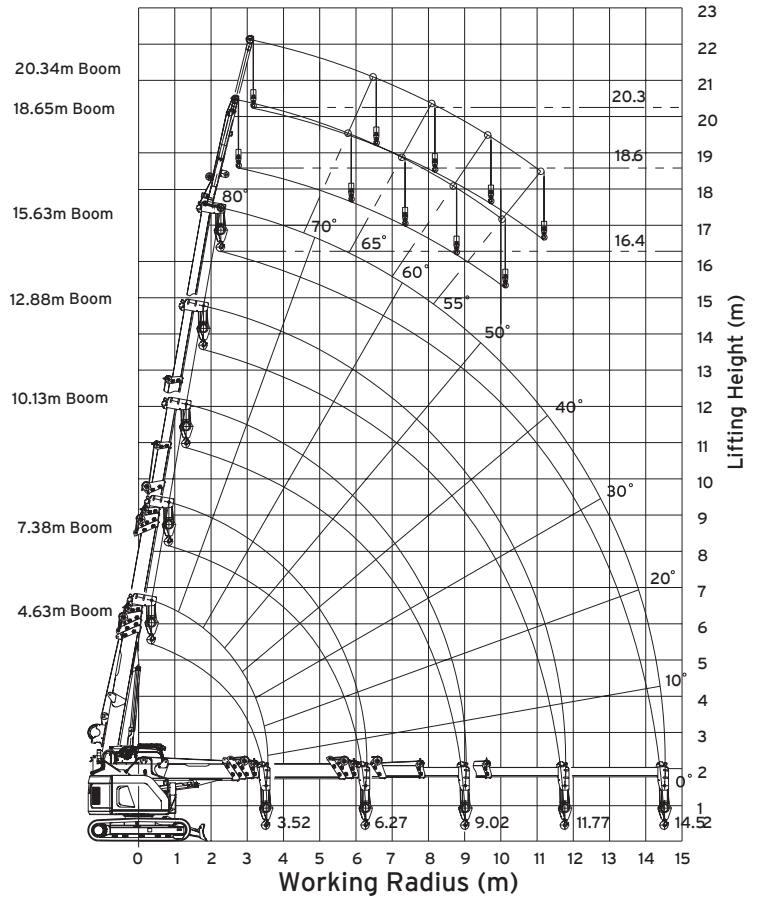
### TRACK

Width	450mm
-------	-------

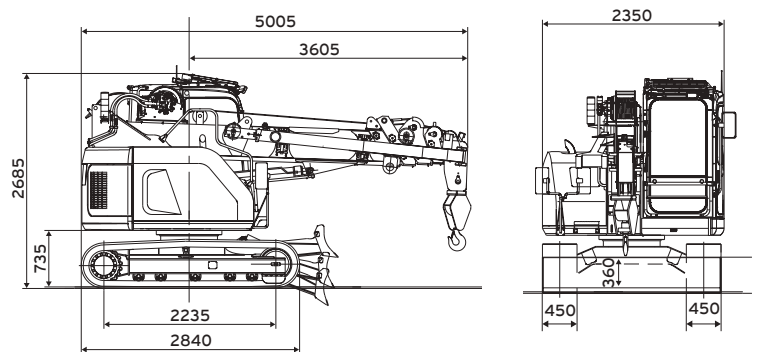
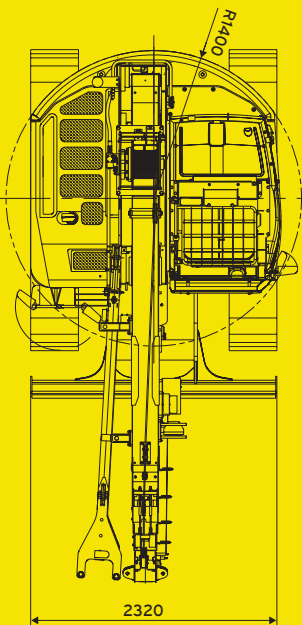
### MIN. TRANSPORT WIDTH

Overall Track	2290mm
Overall Unit	2350mm

### WORKING RANGE



\*Fly jib is optional



COUNT ON US

1800 440 550 | [prestonhire.com.au](http://prestonhire.com.au)

# LOAD CHART

# MAEDA LC785M-8

## LOAD CHART

4 rope hook

### TOTAL RATED LOAD

	4.63m Boom		7.83m Boom		10.13m Boom		12.88m Boom		15.63m Boom	
Working Radius (m)	Total Rated Load (kg)		Total Rated Load (kg)		Total Rated Load (kg)		Total Rated Load (kg)		Total Rated Load (kg)	
	Stationary	Travelling	Stationary	Travelling	Stationary	Travelling	Stationary	Travelling	Stationary	Travelling
2.0	4900	2000	4900	2000	2600	1400	2000	Unusable	-	Unusable
2.1	4900	2000	4630	2000	2600	1400	2000	Unusable	-	Unusable
2.5	3800	2000	3760	2000	2600	1400	2000	Unusable	1400	Unusable
2.7	3310	1950	3410	1940	2520	1400	2000	Unusable	1400	Unusable
3.0	2900	1670	2980	1700	2310	1360	2000	Unusable	1400	Unusable
3.15	2640	1550	2800	1590	2220	1300	2000	Unusable	1400	Unusable
3.5	2290	1330	2420	1380	2010	1170	1890	Unusable	1400	Unusable
3.52	2270	1320	2400	1370	2000	1170	1880	Unusable	1400	Unusable
4.0			2000	1140	1750	1020	1650	Unusable	1400	Unusable
4.5			1670	960	1530	890	1450	Unusable	1320	Unusable
5.0			1400	810	1340	770	1280	Unusable	1200	Unusable
5.5			1180	690	1170	680	1130	Unusable	1090	Unusable
6.0			1000	590	1030	590	1010	Unusable	990	Unusable
6.27			910	540	950	550	940	Unusable	940	Unusable
6.5					890	510	900	Unusable	900	Unusable
7.0					780	440	800	Unusable	820	Unusable
7.5					670	380	710	Unusable	750	Unusable
8.0					580	320	630	Unusable	680	Unusable
8.5					490	270	560	Unusable	610	Unusable
9.0					410	230	500	Unusable	560	Unusable
9.02					410	230	500	Unusable	560	Unusable
9.5							440	Unusable	500	Unusable
10.0							390	Unusable	450	Unusable
10.5							340	Unusable	400	Unusable
11.0							300	Unusable	360	Unusable
11.5							260	Unusable	320	Unusable
11.77							260	Unusable	300	Unusable
12.0								Unusable	280	Unusable
12.5								Unusable	240	Unusable
13.0								Unusable	210	Unusable
13.5								Unusable	200	Unusable
14.0								Unusable	200	Unusable
14.52								Unusable	200	Unusable



COUNT ON US

The total rated load charts are based on the actual working radius including boom deflection.

1800 440 550 | [prestonhire.com.au](http://prestonhire.com.au)



# SPECIALISED EQUIPMENT HIRE SOLUTIONS

## Branch Locations

### NSW/ACT

25-39 Chadderton Street,  
Cabramatta NSW 2166  
nswsales@prestonhire.com.au

### NSW

56 Sandringham Place,  
Thornton, NSW, 2322  
nswsales@prestonhire.com.au

### QLD

83 Parramatta Road,  
Underwood, QLD 4119  
qldsales@prestonhire.com.au

### VIC/TAS

38 Sunline Dr,  
Truganina, VIC 3029  
vicsales@prestonhire.com.au

### WA/NT

Unit 2,8 Hunt Street,  
Malaga, WA 6090  
wasales@prestonhire.com.au

### SA

102 Cormack Road,  
Wingfield, SA 5013  
sasales@prestonhire.com.au

*\*Preston Hire available across Oceania*



COUNT ON US

1800 440 550 | [prestonhire.com.au](http://prestonhire.com.au)