

- Hydraulic undercarriage extendable
- 4/2/1 Fall hook block

- Climatised cabin enclosed
- Maxicabin tilt cabin

- 40.0t
- 32.0m boom
- 45.0m with fly jib
- 36.0t pick & carry capacity

- Triple bar
- Load moment indicator system



The Sennebogen 643 has a 32.0m robust 4 section telescopic boom that can be used under load even on rough terrain. Its 40.0t capacity make it simple and easy transport and ready to use quickly. Maximum extension of 13m with folding fly jib. Can be used with a second hook on the auxiliary fly jib (6t). Consider the possibilities...

# SPECIFICATIONS

# 643

## DIMENSIONS

Length	9728mm
Width	3000mm Retracted 4500mm Extended
Height	3226mm
Weight	42000kg (operating-approx.)

## CAPACITY

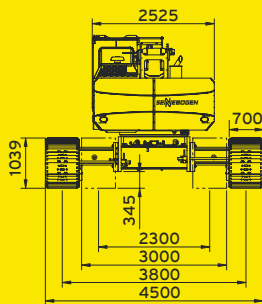
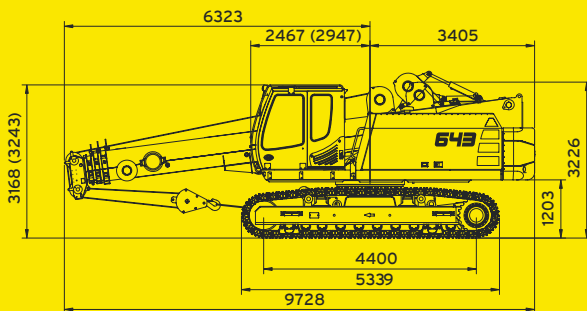
Max. capacity	40000kg at 2.0m
Max. working radius (main boom)	1500kg at 27.1m
Max. working radius (fly jib)	600kg at 38.0m
Max. lifting height (main boom)	30.0m
Max. lifting height (fly jib)	43.0m

## TRACK

Width	700mm
-------	-------

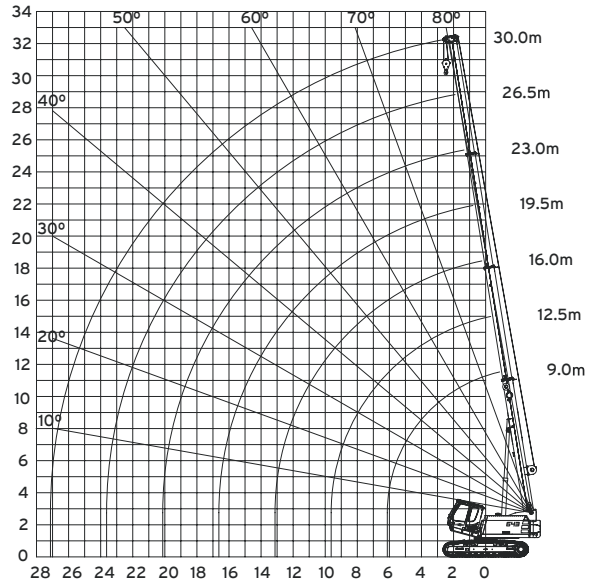
## MIN. TRANSPORT WIDTH

Overall Track	3000mm
Overall Unit	3000mm

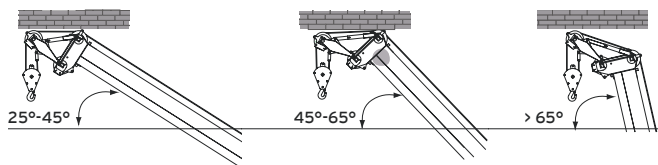
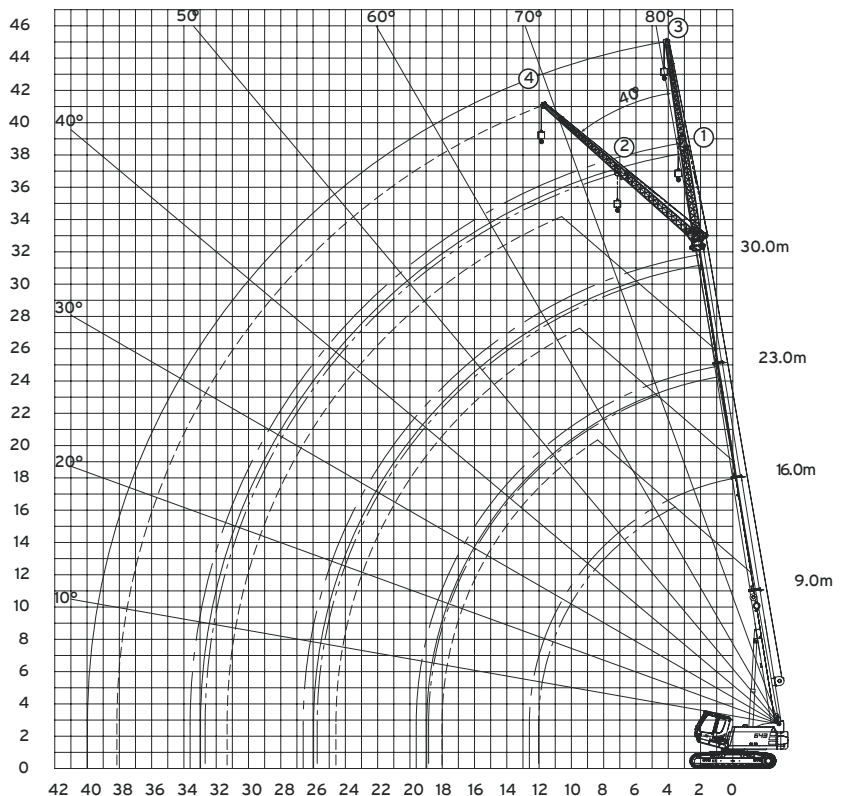


## WORKING RANGE

### BOOM 9-30M



### FOLDING JIB



COUNT ON US

1800 440 550 | [prestonhire.com.au](http://prestonhire.com.au)

# LOAD CHART

# SENNEBOGEN 643

## 13M FOLDING JIB LOAD CHART

7t+4t counterweight, 30m main boom, 13m folding jib

### TOTAL RATED LOAD

Working Radius (m)	9.0m Boom		16.0m Boom		23.0m Boom		30.0m Boom	
	Total Rated Load (t)		Total Rated Load (t)		Total Rated Load (t)		Total Rated Load (t)	
	0°	40°	0°	40°	0°	40°	0°	40°
2.0								
3.0	3.0							
4.0	3.0							
5.0	3.0		3.0					
6.0	3.0		3.0					
7.0	2.9		3.0		3.0			
8.0	2.6		3.0		3.0			
9.0	2.3		2.9		3.0		2.0	
10.0	2.1	1.6	2.7		2.9		2.0	
11.0	2.0	1.5	2.5		2.7		2.0	
12.0	1.8	1.4	2.4	1.5	2.6		2.0	
13.0	1.7	1.4	2.2	1.5	2.5		2.0	
14.0	1.6	1.3	2.1	1.5	2.4	1.5	2.0	
15.0	1.6	1.3	2.0	1.4	2.3	1.5	2.0	
16.0	1.5	1.3	1.9	1.4	2.2	1.4	2.0	1.5
18.0	1.1		1.7	1.3	2.0	1.4	2.0	1.4
20.0			1.6	1.3	1.8	1.3	1.9	1.4
22.0			1.4		1.7	1.3	1.7	1.3
24.0			1.3		1.6	1.3	1.4/1.6	1.3
26.0					1.3/1.4	1.3	1.2/1.4	1.2
28.0					1.0/1.3		1.0/1.3	1.2
30.0					0.8/1.3		0.8/1.2	1.1
32.0					0.6/1.1		0.6/1.1	0.8/1.1
34.0							-/0.9	
36.0							-/0.7	
38.0							-/0.6	

### PARTS REEVING

	1	1	1	1	1	1	1	1
I	0%	0%	100%	100%	100%	100%	100%	100%
II	0%	0%	0%	0%	50%	50%	100%	100%
III	0%	0%	0%	0%	50%	50%	100%	100%

The total rated load charts are based on the actual working radius including boom deflection.



COUNT ON US

Disclaimer. All information provided in this publication is correct at time of printing. Please contact Preston Hire for any updated versions.

1800 440 550 | [prestonhire.com.au](http://prestonhire.com.au)

# LOAD CHART

# SENNEBOGEN 643

## MAIN BOOM LOAD CHART

7t + 4t counterweight, 9-39m main boom

### TOTAL RATED LOAD

	9.0m Boom		12.5m Boom		16.0m Boom		19.5m Boom		23.0m Boom		26.5m Boom		30.0m Boom	
Working Radius (m)	Total Rated Load (t)		Total Rated Load (t)		Total Rated Load (t)		Total Rated Load (t)		Total Rated Load (t)		Total Rated Load (t)		Total Rated Load (t)	
2.0	40.0*	40.0*												
3.0	35.0	33.0	20.0	20.0	15.0	15.0	14.0	14.0	11.0	11.0	8.9	8.9	5.0	5.0
4.0	30.2	20.2	20.0	19.9	15.0	15.0	14.0	14.0	11.0	11.0	8.9	8.9	5.0	5.0
5.0	25.5	14.2	20.0	14.0	15.0	13.9	13.3	13.3	11.0	11.0	8.6	8.6	5.0	5.0
6.0	18.6	10.7	18.5	10.5	14.9	10.5	12.0	10.9	10.3	10.3	8.3	8.3	5.0	5.0
7.0	12.2/6.2m	10.2/6.2m	14.3	8.3	13.2	8.2	10.9	8.6	9.5	8.9	7.8	7.8	5.0	5.0
8.0			11.5	6.7	11.4	6.6	9.8	7.0	8.7	7.3	7.4	7.4	5.0	5.0
9.0			9.5	5.5	9.4	5.4	9.0	5.8	7.9	6.1	6.9	6.2	5.0	5.0
10.0			7.5/9.6m	4.9/9.6m	8.0	4.5	8.3	4.9	7.1	5.1	6.4	5.3	5.0	5.0
11.0					6.8	3.7	7.2	4.1	6.5	4.4	5.9	4.5	5.0	4.7
12.0					5.9	3.1	6.2	3.5	5.9	3.7	5.5	3.9	5.0	4.1
13.0					5.0	2.6	5.4	3.0	5.5	3.2	5.1	3.4	4.7	3.5
14.0							4.8	2.6	5.0	2.8	4.8	3.0	4.4	3.1
15.0							4.2	2.2	4.5	2.4	4.5	2.6	4.1	2.7
16.0							3.7	1.9	4.0	2.1	4.2	2.3	3.8	2.4
17.0							3.5/16.6m	1.7/16.6m	3.6	1.8	3.7	2.0	3.6	2.1
18.0									3.2	1.6	3.4	1.7	3.3	1.9
19.0									2.9	1.3	3.0	1.5	3.1	1.6
20.0									2.6	1.1	2.7	1.3	2.9	1.4
21.0									2.5/20.1m	1.1/20.1m	2.5	1.1	2.6	1.3
22.0											2.2	1.0	2.4	1.1
23.0											1.9/23.6m	0.7/23.6m	2.2	0.9
24.0													2.0	0.8
25.0													1.8	0.7
26.0													1.6	0.6
27.0													1.5	0.5
28.0													1.5/27.1m	0.5/27.1m

### PARTS REEVING

	10	10	6	6	5	5	4	4	4	4	3	3	2	2
I	0%	0%	50%	50%	100%	100%	100%	100%	100%	100%	100%	100%	100%	100%
II	0%	0%	0%	0%	0%	0%	25%	25%	50%	50%	75%	75%	100%	100%
III	0%	0%	0%	0%	0%	0%	25%	25%	50%	50%	75%	75%	100%	100%



COUNT ON US

1800 440 550 | [prestonhire.com.au](http://prestonhire.com.au)

# LOAD CHART SUPE SENNEBOGEN 643

## JIB LOAD CHART

7t +4t counterweight, jib

### TOTAL RATED LOAD

	9.0m Boom	12.5m Boom	16.0m Boom	19.5m Boom	23.0m Boom	26.5m Boom	30.0m Boom					
Working Radius (m)	Total Rated Load (t)		Total Rated Load (t)		Total Rated Load (t)		Total Rated Load (t)		Total Rated Load (t)		Total Rated Load (t)	
2.0												
3.0	6.0 6.0	6.0 6.0	6.0 6.0	6.0 6.0	6.0 6.0	6.0 6.0	6.0 6.0	5.0/3.5m 5.0/3.5m				
4.0	6.0 6.0	6.0 6.0	6.0 6.0	6.0 6.0	6.0 6.0	6.0 6.0	6.0 6.0	5.0 5.0				
5.0	6.0 6.0	6.0 6.0	6.0 6.0	6.0 6.0	6.0 6.0	6.0 6.0	6.0 6.0	5.0 5.0				
6.0	6.0 6.0	6.0 6.0	6.0 6.0	6.0 6.0	6.0 6.0	6.0 6.0	6.0 6.0	5.0 5.0				
7.0	6.0/6.7m 6.0/6.7m	6.0 6.0	6.0 6.0	6.0 6.0	6.0 6.0	6.0 6.0	6.0 6.0	5.0 5.0				
8.0		6.0 6.0	6.0 6.0	6.0 6.0	6.0 6.0	6.0 6.0	6.0 6.0	5.0 5.0				
9.0		6.0 5.4	6.0 5.3	6.0 5.7	6.0 6.0	6.0 6.0	6.0 6.0	5.0 5.0				
10.0		6.0 4.4	6.0 4.4	6.0 4.8	6.0 5.0	6.0 5.2	6.0 5.2	5.0 4.9				
11.0		6.0/10.2m 4.2/10.2m	6.0 3.6	6.0 4.0	6.0 4.3	5.8 4.4	5.0 4.6	5.0 4.6				
12.0			5.8 3.0	6.0 3.4	5.8 3.6	5.4 3.8	4.9 4.0	4.9 4.0				
13.0			4.9 2.5	5.3 2.9	5.4 3.1	5.0 3.3	4.6 3.4	4.6 3.4				
14.0			4.3/13.7m 2.1/13.7m	4.7 2.5	4.9 2.7	4.7 2.9	4.3 3.0	4.3 3.0				
15.0				4.1 2.1	4.4 2.3	4.4 2.5	4.0 2.6	4.0 2.6				
16.0				3.6 1.8	3.9 2.0	4.1 2.2	3.7 2.3	3.7 2.3				
17.0				3.1 1.5	3.5 1.7	3.6 1.9	3.5 2.0	3.5 2.0				
18.0				3.0/17.2m 1.4/17.2m	3.1 1.5	3.3 1.6	3.2 1.8	3.2 1.8				
19.0					2.8 1.2	2.9 1.4	3.0 1.5	3.0 1.5				
20.0					2.5 1.0	2.6 1.2	2.8 1.3	2.8 1.3				
21.0					2.2/20.7m 0.8/20.7m	2.4 1.0	2.5 1.2	2.5 1.2				
22.0						2.1 0.9	2.3 1.0	2.3 1.0				
23.0						1.8 0.7	2.1 0.8	2.1 0.8				
24.0						1.7/24.2m 0.6/24.2m	1.9 0.7	1.9 0.7				
25.0							1.7 0.6	1.7 0.6				
26.0							1.5 0.5	1.5 0.5				
27.0							1.4	1.4				
28.0							1.4/27.1m	1.4/27.1m				

### PARTS REEVING

	2	2	2	2	2	2	2	2	2	2	2	2	2
I	0%	0%	50%	50%	100%	100%	100%	100%	100%	100%	100%	100%	100%
II	0%	0%	0%	0%	0%	0%	25%	25%	50%	50%	75%	75%	100%
III	0%	0%	0%	0%	0%	0%	25%	25%	50%	50%	75%	75%	100%

When the jib is mounted at the basic mainboom the rated loads have to be reduced:

Main Boom Length (m)	9.0	12.5	16.0	19.5	23.0	26.5	30.0
Reduction Of Load (kg)	570	420	330	280	240	210	180



COUNT ON US

1800 440 550 | [prestonhire.com.au](http://prestonhire.com.au)



# LOAD CHART SUPERCRAANE™

## SENNEBOGEN 643

### 6.5M FOLDING JIB LOAD CHART

7t + 4t counterweight, 30m main boom, 6.5m folding jib

#### TOTAL RATED LOAD

Working Radius (m)	9.0m Boom		16.0m Boom		23.0m Boom		30.0m Boom	
	Total Rated Load (t)		Total Rated Load (t)		Total Rated Load (t)		Total Rated Load (t)	
	0°	40°	0°	40°	0°	40°	0°	40°
2.0								
3.0	6.0		6.0					
4.0	6.0		6.0					
5.0	5.5	3.5	6.0		6.0			
6.0	4.9	3.3	6.0	3.6	6.0			
7.0	4.4	3.1	5.9	3.4	6.0		3.5	
8.0	4.0	2.9	5.4	3.3	5.9	3.4	3.5	
9.0	3.7	2.8	5.0	3.2	5.6	3.3	3.5	
10.0	3.4	2.7	4.6	3.1	5.3	3.2	3.5	3.2
11.0	3.1		4.3	3.0	5.0	3.2	3.5	3.0
12.0	2.8		4.1	2.8	4.7	3.1	3.5	2.9
13.0			3.9	2.8	4.2/4.4	3.0	3.5	2.8
14.0			3.7/3.3	2.8	3.7/4.2	2.9	3.3	2.7
15.0			3.4/3.5		3.3/3.9	2.9	3.0	2.5
16.0			3.0/3.3		3.0/3.7	2.8	2.8	2.4
18.0			2.3/2.9		2.4/3.3	2.7	2.3/2.4	2.3
20.0					1.9/2.7	2.1/2.6	1.8/2.1	2.1
22.0					1.5/2.2		1.5/1.9	1.7/1.9
24.0					1.1/1.7		1.1/1.8	1.4/1.7
26.0					0.8/1.4		0.9/1.5	1.0/1.6
28.0							0.7/1.2	
30.0							-/0.9	
32.0							-/0.7	
34.0								
36.0								
38.0								

#### PARTS REEVING

	2	1	2	2	2	1	1	1
I	0%	0%	100%	100%	100%	100%	100%	100%
II	0%	0%	0%	0%	50%	50%	100%	100%
III	0%	0%	0%	0%	50%	50%	100%	100%